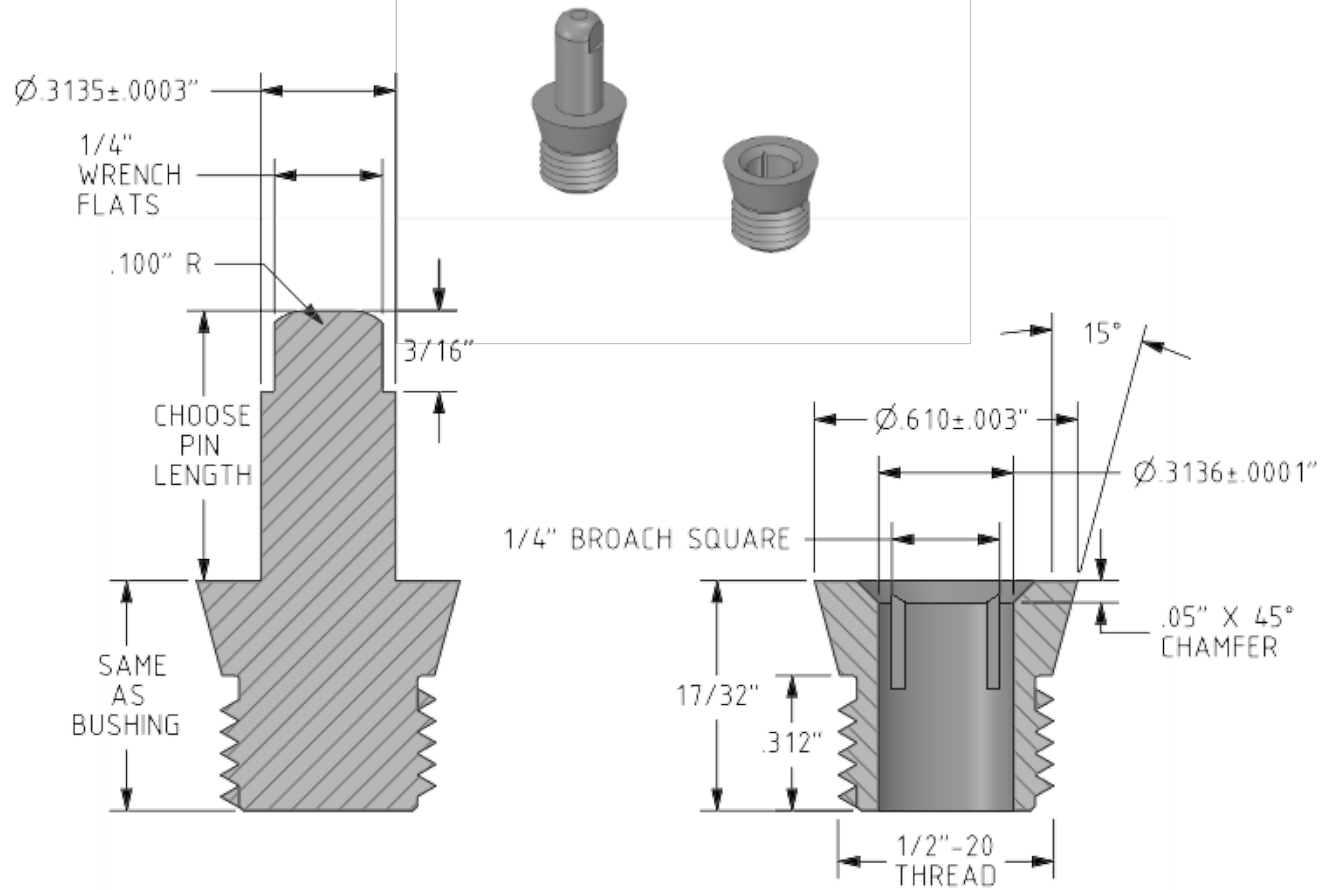


Land Specialties Manufacturing

landspecialties@sbcglobal.net
 800-368-4883
 816-358-1825

This document contains information proprietary to LAND SPECIALTIES MFG.
 Use and/or copying is strictly prohibited without
 prior written authorization from LAND SPECIALTIES MFG.



PART #	MATERIAL:	DESCRIPTION:	NOTES:
BLANK	STRESSPROOF RC 50-54	5/16" MOLD PIN & BUSHING SET	All decimal diameters to be concentric within .0002"